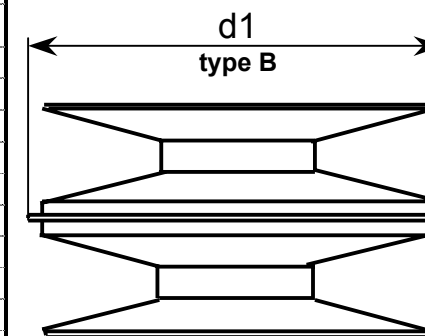
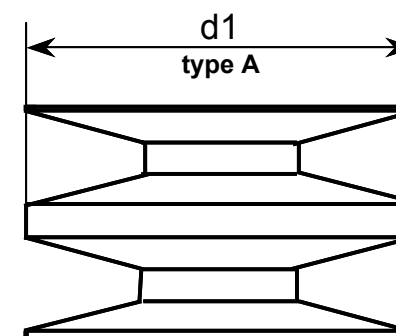
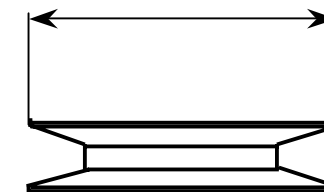




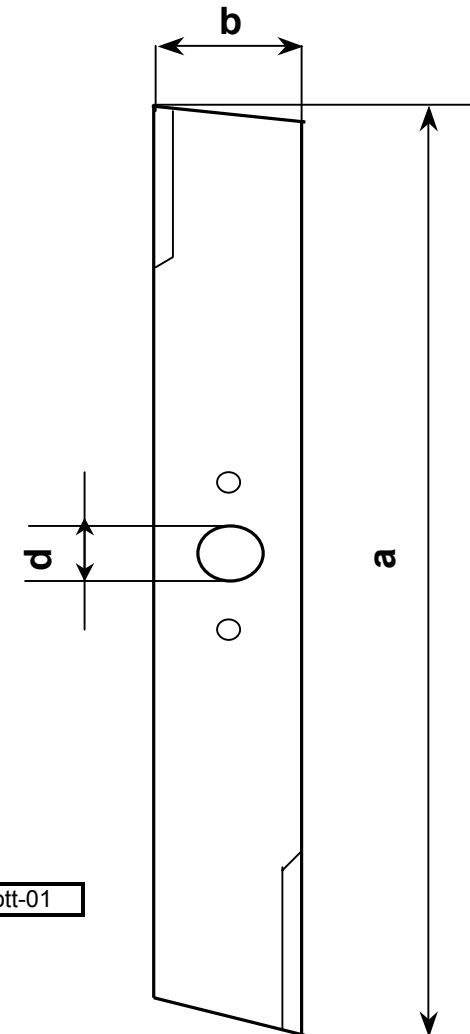
## V-SNAREN VOOR SELF-PROPELLED MAAIERS

MODEL	CODE	DESCRIPTIONS	VALIDITY		External Diametre Transmission Pulley d = mm	External Diametre Variator Pulley d1 = mm
			from	to		
42 S	CP047826	BELT Z 27 OPTIBELT (EX Z 26)			55	
45 S	CP047829	BELT Z 29 1/2 OPTIBELT / ROLLER			55	
46 S	CP047827	BELT Z 27 1/2 POPTIBELT / ROLLER			55	
47 S	CP047827	BELT Z 27 1/2 POPTIBELT / ROLLER			55	
50 S	CP047831	BELT Z 31 1/2 OPTIBELT	feb-98	gen-98	55	
	CP047832	BELT Z 32 V-BELT			60	
51 S	CP04729	BELT Z 29 1/2 OPTIBELT / ROLLER			60	
53 S	CP047829	BELT Z 29 1/2 OPTIBELT / ROLLER			55	
56 S	CP047833	BELT Z 33 V-BELT	feb-98	gen-98	55	
	CP047834	BELT Z 34 1/4 OPTIBELT			60	
56 S VV	CP047814	BELT Z 14 OPTIBELT		apr-96	55	85 (type B)
	CP047824	BELT Z 24 OPTIBELT		apr-96	55	85 (type B)
	CP047814	BELT Z 14 OPTIBELT	mag-96	gen-98	55	76 (type A)
	CP047825	BELT Z 25 1/2 V-BELT	mag-96	gen-98	55	76 (type A)
	CP047715	BELT Z 15 OPTIBELT	feb-98	set-00	60	76 (type A)
	CP047716	BELT Z 16 V-BELT	ott-00		60	76 (type A)
	CP047725	BELT Z 25 V-BELT	feb-98		60	76 (type A)
57 S	CP047835	BELT Z 35 V-BELT			60	
SGORBIO	CP047836	BELT FDT 900 V-BELT				



## MAAI MESSEN

MODEL	CODE	DESCRIPTION	MEASURE				VALIDITY	
			a	b	thickness	d	from	to
32 E	CP032011	BLADE 32 E	315	40	2,5	18		
40 E	CP040010	BLADE 40 E	385	45	3	18		
40 ACCU	CP040012	BLADE 40 ACCU	385	55	3	8		
400 E	CP041010	BLADE 41 E	392	55	3	18		
41 E	CP041010	BLADE 41 E	392	55	3	18		
42 E	CP042010	BLADE 42 E	415	55	3	18	gen-96	
42 E	CP042011	BLADE 42 E OLD	415	55	3	19		dic-95
45 SE	CP045011	BLADE 45	430	55	3	19		
46 E	CP047010	BLADE 47 E	460	55	3	18		
47 E	CP047010	BLADE 47 E	460	55	3	18	gen-96	
47 E	CP047011	BLADE 47 E OLD	460	55	3	19		dic-95
47 SE	CP047011	BLADE 47 SE	460	55	3	19		
53 E	CP053010	BLADE 53 E	510	55	3	18		
53 SE	CP053011	BLADE 53 SE	510	55	3	19		
40	CP040013	BLADE 40	385	55	4	10		
400	CP041013	BLADE 41	392	55	4	10		
41	CP041013	BLADE 41	392	55	4	10		
41	CP041014	BLADE 41 HONDA GV 100 OLD	392	55	4	8	feb-97	feb-98
42	CP042013	BLADE 42	415	55	4	10		
42	CP042014	BLADE 42 HONDA GV 100 OLD	415	55	4	8	feb-96	feb-98
45	C P045013	BLADE 45	430	55	4	10		
46	CP047013	BLADE 47	460	55	4	10		
47	CP047013	BLADE 47	460	55	4	10		
47	CP047014	BLADE 47 HONDA GV 100 OLD	460	55	4	8	feb-96	feb-98
50	CP050012	BLADE 50 BLADE WITH WINGS	475	55	4	16	gen-00	ott-01
50	CP050013	BLADE 50	475	55	4	16		gen-00
50	CP050014	BLADE 50 BBC	475	55	4	19		ott-01
51	CP051013	BLADE 51	501	55	4	10		
53	CP053012	BLADE 53 WITH WINGS	510	55	4	10	only if required	
53	CP053013	BLADE 53 STANDARD	510	55	4	10		
56	CP056012	BLADE 56 BLADE WITH WINGS	525	55	4	16	gen-00	ott-01
56	CP056013	BLADE 56	525	55	4	16		gen-00
56	CP056014	BLADE 56 BBC	525	55	4	19		ott-01
57	CP057013	BLADE 57	560	55	4	10	ott-01	
57	CP058013	BLADE 57 BLADE WITH WINGS	560	55	4	10		ott-01
BIOMULCH	CP047015	BLADE BIOMULCH 47	460	50	4	10		dic-99
BIOMULCH	EM10158240	BLADE BIOMULCH 49	490				gen-00	dic-00
BIOMULCH	EM10177510	BLADE BIOMULCH 50	501				gen-01	dic-01
BIOMULCH	CP051015	BLADE BIOMULCH 50	501	57	3		gen-02	
SIDE DISCHARGE	CP048015	SIDE DISCHARGE BLADE	485	80	3	33		
SGORBIO	CP058013	BLADE SGORBIO	560	55	4	10		



ott-01

ott-01



MA.RI.NA SYSTEMS SRL  
LOZEMAN TUINMACHINES LOTTUM B.V.

# Original Spare Parts

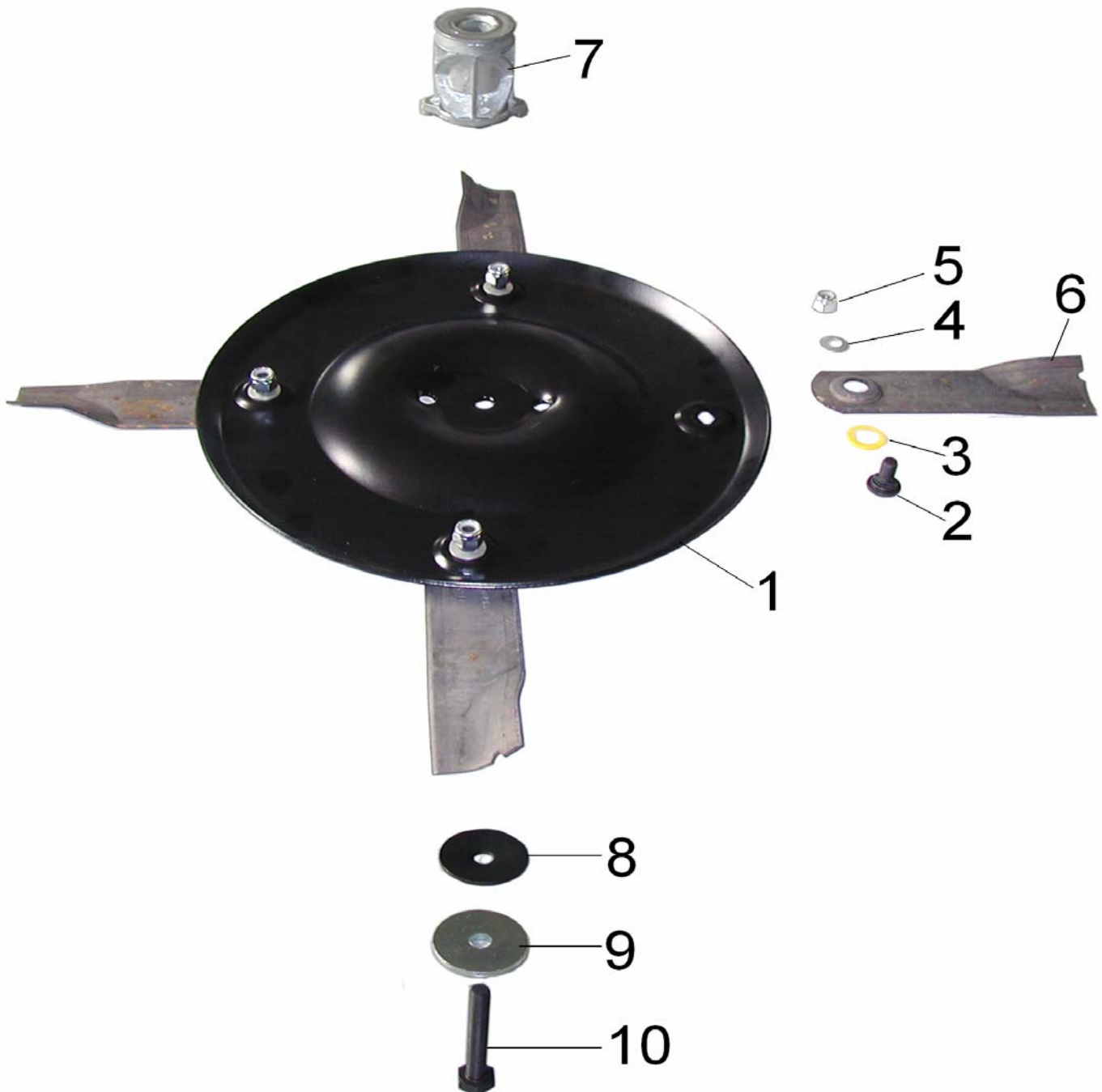
## MAAI MESSEN

MODEL	CODE	DESCRIPTION	MEASURE				VALIDITY	
			a	b	thickness	d	from	to
TQ 630	M0340020121	BLADE 63						
TQ 670	M0341020130	BLADE 67 WITH WINGS					EM10301440	
PICCOLO	EM10301440	BLADE 67 WITH WINGS						
HYDROSTAR	EM10301440	BLADE 67 WITH WINGS						
TQ 670	M0341020135	BLADE 76 WITH WINGS					EM10303050	
HYDROMAX	EM10303050	BLADE 76 WITH WINGS						

Alternative Code

Alternative Code

POS.	CODICE	I	F	D	GB	E	Q.TA'
1	CP046270	DISCO PARTALAME	DISQUE	SCHEIBE	DISK	DISCO	1
2	CP046256	VITE	VIS	SCHRAUBE	SCREW	TORNILLO	4
3	CP046230	RONDELLA NYLON	RONDELLE	SCHEIBE	WASHER	ARANDELA	4
4	CP045909	MOLLA A TAZZA	RONDELLE	SCHEIBE	WASHER	MUELLE	4
5	CP044909	DADO AUTOBLOCCAN	ÉCROU	MUTTER	HEX NUT	ESPARRAGO	4
6	CP046413	LAMA 46 STANDARD	LAME 46 STANDARD	MESSER 46 STANDAR	BLADE 46 STANDARD	CUCHILLA 46 STANDA	4 - MOD.46-47
6	CP046414	LAMA 46 HI-LIFT	LAME 46 HI-LIFT	MESSER 46 HI-LIFT	BLADE 46 HI-LIFT	CUCHILLA 46 HI-LIFT	4 - MOD.46-47
6	CP052413	LAMA 52 STANDARD	LAME 52 STANDARD	MESSER 52 STANDAR	BLADE 52 STANDARD	CUCHILLA 52 STANDA	4 - MOD.52-53
6	CP057413	LAMA 57 STANDARD	LAME 57 STANDARD	MESSER 57 STANDAR	BLADE 57 STANDARD	CUCHILLA 57 STANDA	4 - MOD.57
7	CP053274A	MOZZO CON PULEGG	PORTE LAME + POULI	MESSERHALTER	BLADE ADAPTOR+PUL	PORTA CUCHILLA+PO	1
8	CP045911	MOLLA A TAZZA	RONDELLE	SCHEIBE	WASHER	MUELLE	1
9	CP053250	RONDELLA	RONDELLE	SCHEIBE	WASHER	ARANDELA	1
10	CP050965	VITE LAMA 10.9	VIS 10.9	SCHRAUBE 10.9	SCREW 10.9	TORNILLO 10.9	1





## ?-TAB-FR Rem kabels

CODE	DESCRIPTION	DECK	ENGINE
CP040148	Brake cable L=940	40 - 400	B&S Classic, Quattro 40
CP047148	Brake cable L=1025	41 - 42 - 45 - 46 - 47 51 - 52 - 53	B&S Classic, Quattro 40, XTS; Honda GV100 NT B&S XTS
CP050148	Brake cable L=1070	50 - 56 - 56VV - 57 45 - 50 - 52 - 53 - Biomulch 40 - 400	B&S XTS B&S Classic, Quattro 40 Tecna Vantage, Prisma
CP056148	Brake cable L=1120	56VV 400 (only for spares)	Honda GCV 160 - GXV 140 TecnaVantage V.T. < 01/2002
CP056149	Brake cable L=1140	41 - 42 - 45 - 46 - 47 - 52- 53	Tecna Vantage, Prisma, Centura - NEW - (>= 03/2002)
CP042148	Brake cable L=1245 (long escape)	42 - 45 - 46 - 47 - 52 - 53 - 50 - 51 - 56 - 57 - Biomulch	Honda GCV 135 - GCV 160 - GXV 140
CP047146	Brake cable L=1245 (short escape)	41 - 42 - 45 - 46 - 47 - 52- 53 (only for spares)	Tecna Vantage, Prisma, Centura - OLD - (< 03/2002)

## ?-TAB-AC Gas kabels

CODE	DESCRIPTION	DECK	ENGINE
CP040142	Throttle cable L=940	40 - 400	Tecna Vantage
CP047142	Throttle cable L=1025	41 - 42 - 46 - 47	Tecna Vantage, Prisma, Centura; Honda GCV 135, GCV 160, GXV 140, GV 100
CP053142	Throttle cable L=1085 (EX L=1070)	45 - 50 - 51 - 52 - 53 - 57 - Biomulch	Tecna Vantage, Prisma, Centura; Honda GCV 135, GCV 160, GXV 140
CP047143	Throttle cable L=1160	41 - 42 45 - 46 - 47 - 51 - 52 - 53 56	B&S Classic, Quattro 40 B&S XTS Honda GCV 160
CP047141	Throttle cable L=1180	45 - 46 - 47 - 52 - 53 50 - 57	B&S Classic, Quattro 40 B&S XTS
CP050143	Throttle cable L=1220	Biomulch 56VV	Classic, Quattro 40 B&S XTS
CP056143	Throttle cable L=1330	56VV	Honda GCV 135, GCV 160 , GXV 140

## ?-TAB-AC-PC Gas kabels voor B E D I E N I N G S P A N E E L

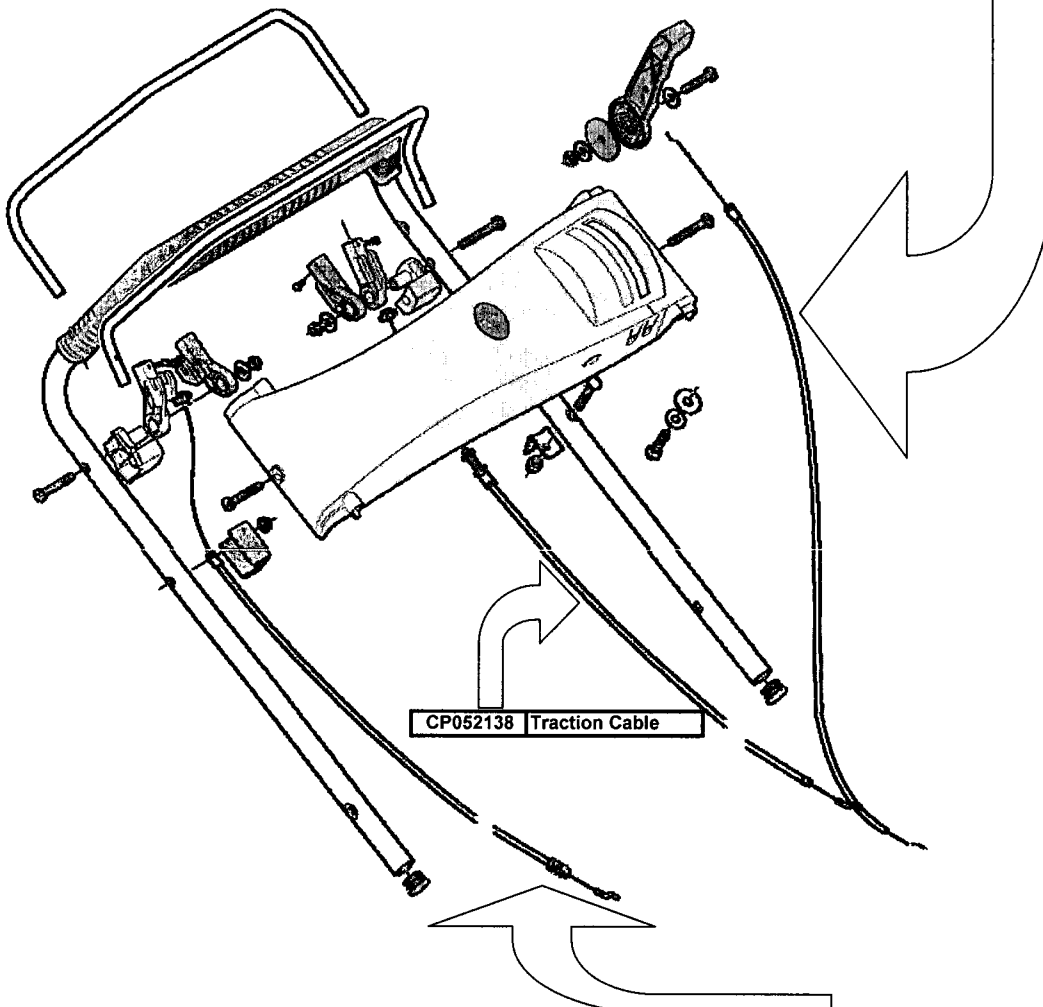
CP047145	Throttle cable L=1010 U=80	It corresponds to Throttle cable L= 1025 - Code CP047142
CP053145	Throttle cable L=1065 U=80 (EX L=1050)	It corresponds to Throttle cable L= 1070 - Code CP053142
CP050145	Throttle cable L=1160 U=80	It corresponds to Throttle Cables L= 1160 e L= 1180 - Codes CP047143 e CP047141
CP057145	Throttle cable L=1200 U=80	It corresponds to Throttle cable L= 1220 - Code CP050143
CP056145	Throttle cable L=1310 U=80	It corresponds to Throttle cable L= 1330 - Code CP056143

*N.B. Z wide escape compass, Z normal escape engine*

# Greenteam - Marinox

Machines produced after 01/11/2004  
Serial number major of 04085000

THROTTLE CABLE board, valid for push and self propelled machines (?-TAB-AC-PC)			
ENGINE		GT MODELS	CABLE CODE
Honda	GCV 135 - GCV 160	41 - 42 - 46 - 47	CP047145
		45 - 50 - 51 - 52 - 53 - 57 - Biomulch	CP053145
		56 VV	CP056145
	GXV 140	50 - 56 - 57	CP050145
B&S	Classic - Quattro	41 - 42	CP050145
		46 - 47	CP050145
		45 - 52 - 53 - Biomulch	CP057145
	XTS	45 - 46 - 47 - 51 - 52 - 53 - Biomulch	CP050145
		50 - 57	CP050145
		56 VV	CP057145
Tecumseh	Vantage - Prisma - Centura	41 - 42 - 46 - 47	CP047145
		45 - 50 - 51 - 52 - 53 - 57 - Biomulch	CP053145



BRAKE CABLE board, valid for push and self propelled machines (?-TAB-FR-NT)			
ENGINE		GT MODELS	CABLE CODE
Honda	GCV 135 - GCV 160 - GXV 140	41 - 42 - 45 - 46 - 47 - 52 - 53 - 50 - 51 - 56 - 57	CP052149
		Biomulch	
		56 VV	CP052146
B&S	Classic - Quattro	40 - 400	CP040148
		41 - 42 - 45 - 46 - 47	CP046148
		45 - 50 52 - 53 - Biomulch	CP046149
	XTS	41 - 42 - 45 - 46 - 47 - 51 - 52 - 53 - Biomulch	CP046148
		50 - 56 - 56 VV - 57	CP046149
		40 - 400	CP046149
Tecumseh	Vantage - Prisma - Centura	40 - 400	CP046149
		41 - 42 - 45 - 46 - 47 - 52 - 53	CP052148

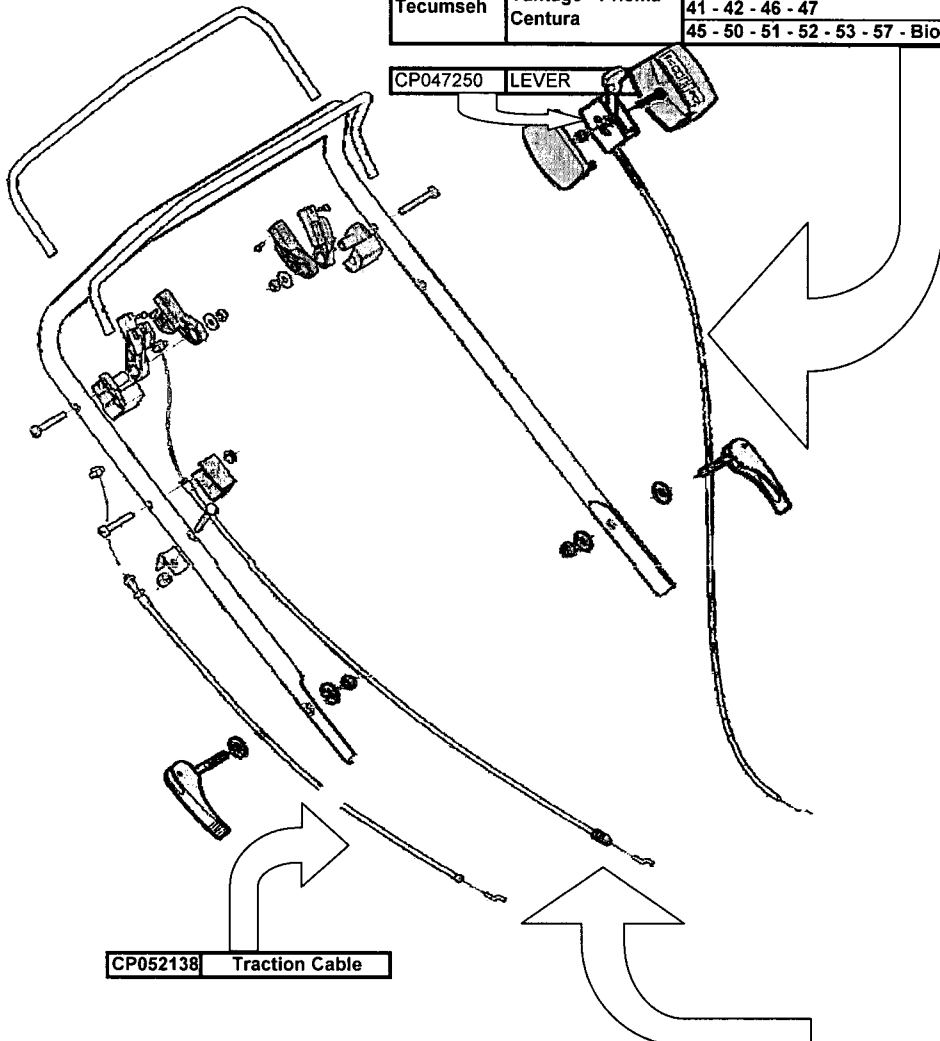
# Galaxy - Akita - Spartan

Machines produced after 01/11/2004

Serial number major of 04085000

THROTTLE CABLE board, valid for push and self propelled models (?-TAB-AC)

ENGINE		GX - AK - SP MODELS	CABLE CODE
Honda	GCV 135 - GCV 160	41 - 42 - 46 - 47	CP047142
		45 - 50 - 51 - 52 - 53 - 57 - Biomulch	CP053142
		56 VV	CP056143
	GXV 140	50 - 56 - 57	CP047143
B&S	Classic - Quattro	400 B	CP047142
		41 - 42	CP047143
		46 - 47	CP047141
		45 - 52 - 53 - Biomulch	CP050143
	XTS	45 - 46 - 47 - 51 - 52 - 53 - Biomulch	CP047143
		50 - 57	CP047141
Tecumseh	Vantage - Prisma - Centura	56 VV	CP050143
		40 - 400	CP040142
		41 - 42 - 46 - 47	CP047142
		45 - 50 - 51 - 52 - 53 - 57 - Biomulch	CP053142



BRAKE CABLE board, valid for push and self propelled models (?-TAB-FR)

ENGINE		GX - AK - SP MODELS	CABLE CODE
Honda	GCV 135 - GCV 160 - GXV 140	41 - 42 - 45 - 46 - 47 - 52 - 53 - 50 - 51 - 56 - 57	CP052149
		Biomulch	
		56 VV	CP052146
B&S	Classic - Quattro	40 - 400	CP040148
		41 - 42 - 45 - 46 - 47	CP046148
		45 - 50 - 52 - 53 - Biomulch	CP046149
		41 - 42 - 45 - 46 - 47 - 51 - 52 - 53 - Biomulch	CP046148
	XTS	50 - 56 - 56 VV - 57	CP046149
		40 - 400	CP046149
Tecumseh	Vantage - Prisma - Centura	41 - 42 - 45 - 46 - 47 - 52 - 53	CP052148



MA.RI.NA SYSTEMS S  
LOZEMAN TUINMACHINES LOTTUM B.V.

# Original Spare Parts

## CONDENSATOREN VOOR ELECTRICHE MAAIERS

MANUFACTURER	POWER	ENGINE NOMINATION	ENGINE CODE	CONDENSER NOMINATION	CONDENSER CODE	NOTE
Leroy Somer	800 W	D25PF-25/2	CP017080F	10 $\mu$ F 450 V	CP019810	
Leroy Somer	900 W	D25PF-30/2	CP017090F	10 $\mu$ F 450 V	CP019810	
Leroy Somer	1100 W	D25PF-35/2	CP017100F	16 $\mu$ F 450 V	CP019816	
Leroy Somer	1300 W	D25PF-45/2	CP017130F	16 $\mu$ F 450 V	CP019816	
Leroy Somer	1600 W	D25PF-55/2	CP017160F	20 $\mu$ F 450 V	CP019820	
Leroy Somer	1600 W	D25P(F)-65/2	CP017165F	25 $\mu$ F 450 V	CP019825	LONG SHAFT FOR SELF-PROPELLED MOWERS
Leroy Somer	1800 W	D25PF-65/2	CP017180F	25 $\mu$ F 450 V	CP019825	
Leroy Somer	1800 W	D25P(F)-75/2	CP017185F	25 $\mu$ F 450 V	CP019825	LONG SHAFT FOR SELF-PROPELLED MOWERS
IBMEI - HLT	800 W		CP017080F	8 $\mu$ F 450 V	CP019808	
IBMEI - HLT	1100 W		CP017100F	12 $\mu$ F 450 V	CP019812	
IBMEI - HLT	1300 W		CP017130F	16 $\mu$ F 450 V	CP019816	



## ?-TAB-COLORI - Lijst van kleuren met referentie nummer

CODE	COLOR	RAL	NOTE
CP0?????.01	<b>GREEN</b>	6005	<b>ATTENTION:</b> TO BE USED ONLY FOR BAG COVER AND REAR DOOR
CP0?????.02	<b>RED</b>	3000	
CP0?????.03	SILVER		
CP0?????.04	<b>YELLOW</b>	1004	
CP0?????.05	<b>BLACK</b>		<b>ATTENTION:</b> TO BE USED ONLY FOR GRASS BAGS, HUB CAPS, COVERS AND CHASSIS
CP0?????.06	<b>BLUE</b>	5017	
CP0?????.07	GREY	7035	
CP0?????.08	<b>GREEN</b>	6018	
CP0?????.09	<b>ORANGE</b>	2002	
CP0?????.10	WHITE		NOT USED
CP0?????.11	<b>GREEN</b>	6001	
CP0?????.12	<b>TURQUOISE</b>		
CP0?????.13	<b>YELLOW</b>	1021	
CP0?????.14	<b>ORANGE</b>		NOT USED
CP0?????.15	<b>YELLOW</b>	1007	
CP0?????.16	<b>YELLOW</b>	1018	
CP0?????.17	<b>GREEN</b>		NOT USED
CP0?????.18	<b>RED</b>	3002	
CP0?????.19	<b>VIOLET</b>	4004	
CP0?????.20	<b>GOLD</b>		NOT USED
CP0?????.21	SILVER		(H)
CP0?????.22	FACETED GREY		(G)
CP0?????.23	SILVER		(S)
CP0?????.24			NOT USED
CP0?????.25			NOT USED
CP0?????.26	GREY		(D)



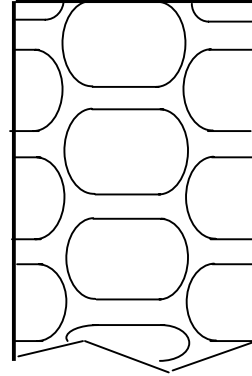
## MONTAGE BOUTEN VOOR BENZINE MOTOREN

DECK	TYPE MACHINE	ENGINE	CODE	DESCRIPTION	QUANTITY
STEEL	PUSH	XTS	CP030830	Screw TE/FR M8 X 30	2
			CP030860	Screw TE M8 X 60	1
		the others	CP030830	Screw TE/FR M8 X 30	3
STEEL	SELF-PROPELLED	XTS	CP030840	Screw TE/FR M8 X 40	2
			CP047257	Threaded Brace M8 X 75	1
		Honda 135	CP030840	Screw TE/FR M8 X 40	2
			CP042257	Threaded Brace M8 X 50	1
	the others	CP030840	Screw TE/FR M8 X 40	3	
ALUMINIUM	50/56	XTS	CP030850	Screw TE/FR M8 X 50	2
			CP030880	Screw TE M8 X 80	1
		the others	CP030855	Screw TE/FR M8 X 55	3
ALUMINIUM	45	XTS	CP030880	Screw TE M8 X 80	2
			CP030909	Screw TE M8 X 110	1
		the others	CP030880	Screw TE M8 X 80	3

## WIELEN EN BANDEN

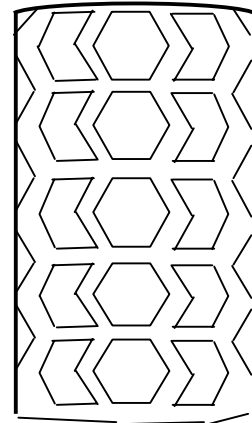
Codice	Descrizione	Diametro
CP032108	WHEEL 5"	125
CP032109	WHEEL 6"	150
CP040109	WHEEL 7"	170
CP042108	BEARING WHEEL	150
CP050108	BEARING WHEEL	180
CP050112	BEARING WHEEL	200
CP050118	SELF-PROPELLED BEARING WHEEL	200
CP056118	SELF-PROPELLED BEARING WHEEL	230
CP056113	ALUMINIUM WHEEL	180
CP056123	SELF-PROPELLED ALUMINIUM WHEEL	245

**Profiel P**



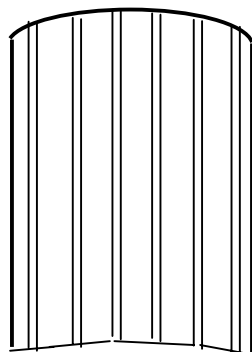
Codice	Descrizione	Diametro
CP042106	BEARING WHEEL	150
CP050106	BEARING WHEEL	180
CP050110	BEARING WHEEL	200

**Profiel T**



Codice	Descrizione	Diametro
CP041106	ECO WHEEL	150
CP042109	BUSH WHEEL	150
CP047109	BUSH WHEEL	180

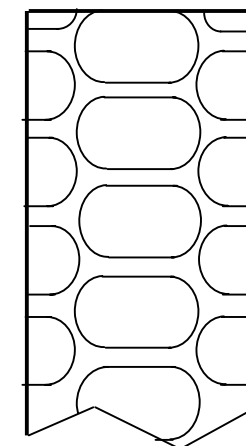
**Profiel R**



## WIELEN EN BANDEN

MODEL	CODE	DESCRIPTION	FEATURES			Versione
			POSITION	DIAMETRE	profile	
32	CP032108	WHEEL5"	front	125	P	all
	CP032109	WHEEL6"	rear	150	P	all
40	CP032109	WHEEL6"	front	150	P	all
	CP040109	WHEEL7"	rear	170	P	all
400	CP041106	WHEELECO	front	150	R	all
	CP041106	WHEELECO	rear	150	R	all
41	CP042109	BUSH WHEEL	front	150	R	all
	CP047109	BUSH WHEEL	rear	180	R	all
	CP042106	BEARING WHEEL	front	150	T	on request
	CP050106	BEARING WHEEL	rear	180	T	on request
42	CP042109	BUSH WHEEL	front	150	R	Spartan
	CP047109	BUSH WHEEL	rear	180	R	Spartan
	CP042106	BEARING WHEEL	front	150	T	Galaxy
	CP050106	BEARING WHEEL	rear	180	T	Galaxy
	CP042108	BEARING WHEEL	front	150	P	Greenteam
	CP050108	BEARING WHEEL	rear	180	P	Greenteam
42 S	CP042106	BEARING WHEEL	front	150	T	Galaxy
	CP050116	SELF-PROPELLED WHEEL WITH BEARING	rear	200	T	Galaxy
	CP042108	BEARING WHEEL	front	150	P	Greenteam
	CP050118	SELF-PROPELLED WHEEL WITH BEARING	rear	200	P	Greenteam
45	CP050106	BEARING WHEEL	front	180	T	Galaxy
	CP050110	BEARING WHEEL	rear	200	T	Galaxy
	CP050108	BEARING WHEEL	front	180	P	Greenteam
	CP050112	BEARING WHEEL	rear	200	P	Greenteam
45 S	CP050106	BEARING WHEEL	front	180	T	Galaxy
	CP050116	SELF-PROPELLED WHEEL WITH BEARING	rear	200	T	Galaxy
	CP050108	BEARING WHEEL	front	180	P	Greenteam
	CP050118	SELF-PROPELLED WHEEL WITH BEARING	rear	200	P	Greenteam

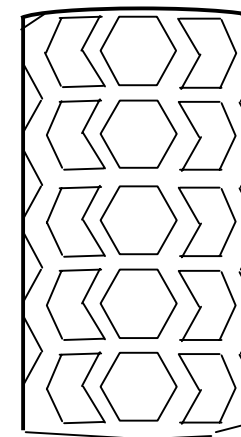
P profiel



## WIELEN EN BANDEN

46	CP042109	BUSH WHEEL	front	150	R	all
	CP047109	BUSH WHEEL	rear	180	R	all
	CP042106	BEARING WHEEL	front	150	T	on request
	CP050106	BEARING WHEEL	rear	180	T	on request
46 S	CP047109	BUSH WHEEL	front	180	R	Spartan
	CP050116	SELF-PROPELLED WHEEL WITH BEARING	rear	200	T	Spartan
	CP050106	BEARING WHEEL	front	180	T	Galaxy
	CP050116	SELF-PROPELLED WHEEL WITH BEARING	rear	200	T	Galaxy
47	CP042109	BUSH WHEEL	front	150	R	Spartan
	CP047109	BUSH WHEEL	rear	180	R	Spartan
	CP050106	BEARING WHEEL	front	180	T	Galaxy
	CP050110	BEARING WHEEL	rear	200	T	Galaxy
	CP050108	BEARING WHEEL	front	180	P	Greenteam
	CP050112	BEARING WHEEL	rear	200	P	Greenteam
47 S	CP047109	BUSH WHEEL	front	180	R	Spartan
	CP050116	SELF-PROPELLED WHEEL WITH BEARING	rear	200	T	Spartan
	CP050106	BEARING WHEEL	front	180	T	Galaxy
	CP050116	SELF-PROPELLED WHEEL WITH BEARING	rear	200	T	Galaxy
	CP050108	BEARING WHEEL	front	180	P	Greenteam
	CP050118	SELF-PROPELLED WHEEL WITH BEARING	rear	200	P	Greenteam
50	CP050106	BEARING WHEEL	front	180	T	Galaxy
	CP050116	BEARING WHEEL	rear	230	T	Galaxy
	CP050108	BEARING WHEEL	front	180	P	Greenteam
	CP050118	BEARING WHEEL	rear	230	P	Greenteam
50 S	CP050106	BEARING WHEEL	front	180	T	Galaxy
	CP056116	SELF-PROPELLED WHEEL WITH BEARING	rear	230	T	Galaxy
	CP050108	BEARING WHEEL	front	180	P	Greenteam
	CP056118	SELF-PROPELLED WHEEL WITH BEARING	rear	230	P	Greenteam
51 S	CP050106	BEARING WHEEL	front	180	T	Galaxy
	CP056116	SELF-PROPELLED WHEEL WITH BEARING	rear	230	T	Galaxy
	CP050108	BEARING WHEEL	front	180	P	Greenteam
	CP056118	SELF-PROPELLED WHEEL WITH BEARING	rear	230	P	Greenteam
53	CP050106	BEARING WHEEL	front	180	T	Galaxy
	CP050110	BEARING WHEEL	rear	200	T	Galaxy
	CP050108	BEARING WHEEL	front	180	P	Greenteam

**T profiel**



## WIELEN EN BANDEN

	CP050112	BEARING WHEEL	rear	200	P	Greenteam
53 S	CP050106	BEARING WHEEL	front	180	T	Galaxy
	CP050116	SELF-PROPELLED WHEEL WITH BEARING	rear	200	T	Galaxy
	CP050108	BEARING WHEEL	front	180	P	Greenteam
	CP050118	SELF-PROPELLED WHEEL WITH BEARING	rear	200	P	Greenteam
56 S	CP050106	BEARING WHEEL	front	180	T	Galaxy
	CP056116	SELF-PROPELLED WHEEL WITH BEARING	rear	230	T	Galaxy
	CP050108	BEARING WHEEL	front	180	P	Greenteam
	CP056118	SELF-PROPELLED WHEEL WITH BEARING	rear	230	P	Greenteam
	CP056113	ALUMINIUM WHEEL	front	180	P	Ruote alu
	CP056123	SELF-PROPELLED ALUMINIUM WHEEL	rear	245	P	Ruote alu
57 S	CP050106	BEARING WHEEL	front	180	T	Galaxy
	CP056116	SELF-PROPELLED WHEEL WITH BEARING	rear	230	T	Galaxy
	CP050108	BEARING WHEEL	front	180	P	Greenteam
	CP056118	SELF-PROPELLED WHEEL WITH BEARING	rear	230	P	Greenteam
	CP056113	ALUMINIUM WHEEL	front	180	P	Alu wheels
	CP056123	SELF-PROPELLED ALUMINIUM WHEEL	rear	245	P	Alu wheels
Side Discharge	CP050106	BEARING WHEEL	front	180	T	all
	CP050106	BEARING WHEEL	rear	180	T	all
Biomulch 47	CP050108	BEARING WHEEL	front	180	T	Greenteam
	CP050112	BEARING WHEEL	rear	200	T	Greenteam
Biomulch 47 S	CP050108	BEARING WHEEL	front	180	P	Greenteam
	CP050118	SELF-PROPELLED WHEEL WITH BEARING	rear	200	P	Greenteam
Biomulch 49	EM10120084	BEARING WHEEL	front	170		all
	EM10120064	BEARING WHEEL	rear	190		all
Sgorbio	CP058106	PNEUMATIC WHEEL	front	270		
	CP058116	PNEUMATIC WHEEL	rear	270		

R profiel

